

Models: GRV	Category: Fluid Control Unit
	Application: Gas Series
	Classification: Gas Flow Control Proportional Valve Unit

FEATURES:

- This is a gas flow control unit composed of a proportional valve, two solenoid valves. The gas flow rate is controlled by regulating of the valve opened degree.
- The range of variable flow rate is about 2.5:1 or less.



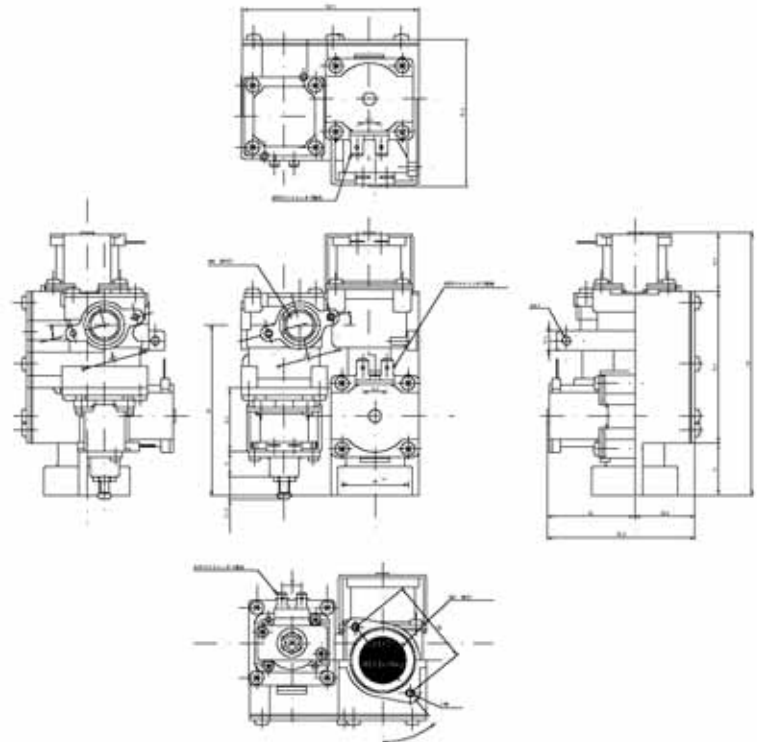
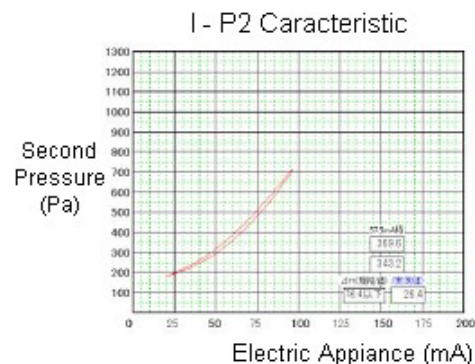
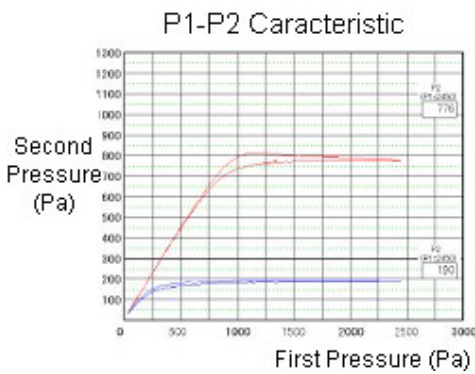
PRIMARY APPLICATIONS:

- Gas combustion appliances.
- Other apparatus that need to control the gas flow.

SPECIFICATIONS:

SPECIFICATIONS:	GRV-301	
	Solenoid Valve	Proportional Regulation Valve
Gas	Natural Gas, Urban Gas, Liquefied Petroleum Gas	
Pressure	>4.9kPa	
Rated Power	9.8kPa	
Power Consumption (Typical)	220VAC ± 15% Full Wave Rectification	Max DC180mA
Temperature Range	<8W	<3.5VA
Insulation Type	B type	
Control Range	10,000 ~ 25,000 kcal/H	
Weight	0.91kg	

Characteristic test Data



Nippon Control Kogyo Co., Ltd. Sales Dep.

5-1-16 Chiyoda, Sakado, Saitama. 3500214 JAPAN

TEL: 81.49.283.7711 FAX: 81.49.283.7717 E-mail: inquiry@nipcon.co.jp URL: <http://www.nipcon.co.jp>