

Models: OS(S)	Category: NIPCON Filter (Strainer)
	Application: Oil, Water & Chemical Series
	Classification: General Purpose

FEATURES:

- These miniature filter models are typically fitted to the intake pipe before an NIPCON solenoid pump and are designed to prevent damaging fluid contamination problems.
- These filter models come in two types: oil types or water and chemical types that operate in the pH range 6 ~ 10.



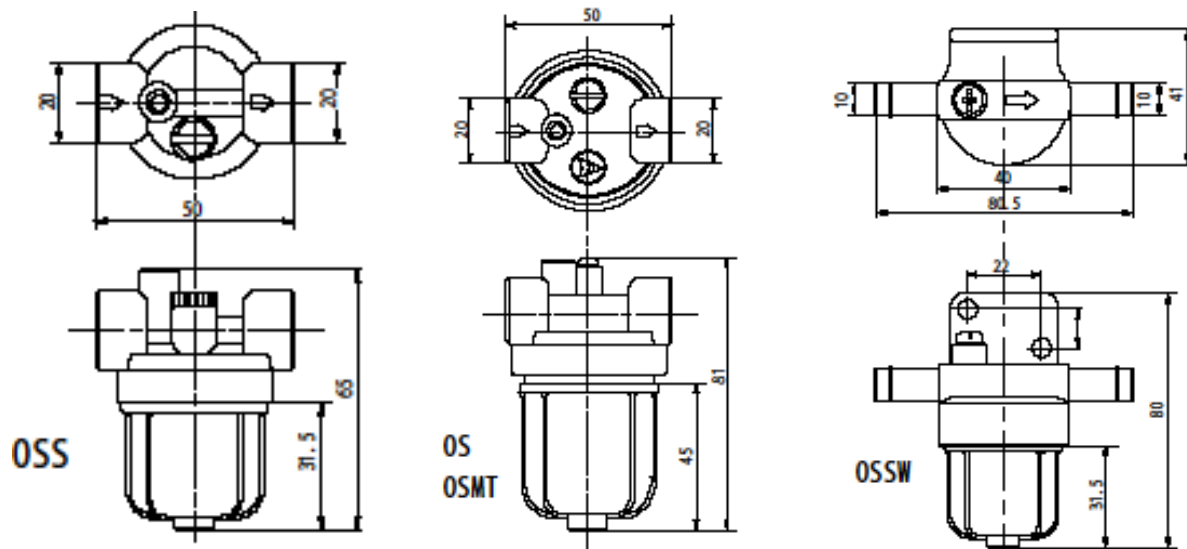
OS



OSMT

SPECIFICATIONS:

MODELS	OSS	OS	OSSW
SPECIFICATIONS			
Liquid	Light Oil, Kerosene		Water or Solutions Aqueous
Filter Medium	Paper or Stainless Steel Wire Mesh		
Particle Filtration Capability (Rated in microns)	Paper: 15 ~ 30 μm Stainless Steel Wire Mesh: 61 μm		
Rated Flow Rate	< 10 L / h (< 2.64 gal / h)	< 20 L / h (< 5.28 gal / h)	< 10 L / h (< 2.64 gal / h)
Pressure (Sealed)	200Kpa (29 psi)		
Pressure Drop Across Media	7.8Kpa (1.13 psi)	4.9Kpa (0.71 psi)	7.8Kpa (1.13 psi)
Ambient Temperature	-20 ° C ~ 40 ° C (-4 ° F ~ 104 ° F)		
Piping Connection Sizes	Intake: R 1/8 "or 1/4 "		
Weight	120 g (4.23 oz)	170 g (6.00 oz)	120 g (4.23 oz)



Nippon Control Kogyo Co., Ltd. Sales Dep.

5-1-16 Chiyoda, Sakado, Saitama. 3500214 JAPAN

TEL: 81.49.283.7711 FAX: 81.49.283.7717 E-mail: inquiry@nipcon.co.jp URL: <http://www.nipcon.co.jp>