

<b>Models: VSCD</b>	<b>Category:</b> Non-Capacity Type Solenoid Pump
	<b>Application:</b> Oil Series
	<b>Classification:</b> Pressure (Piston) Type

**FEATURES:**

- These NIPCON solenoid pump models incorporate a two stage pressure control system intended for high pressure oil applications.
- These pumps includes two relief valves that can be manually adjusted to regulate the internal pressure of the pump for optimal useful operating characteristics.

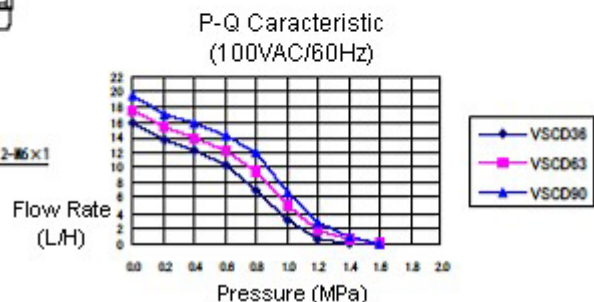
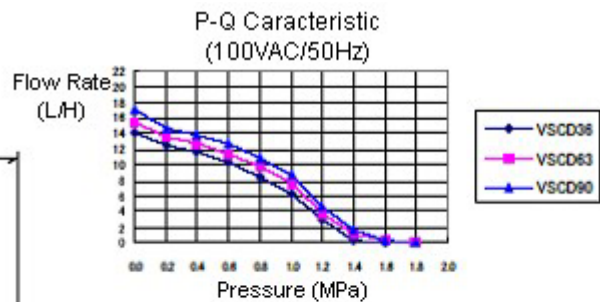
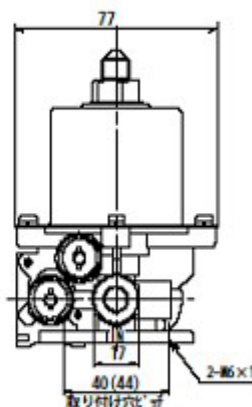
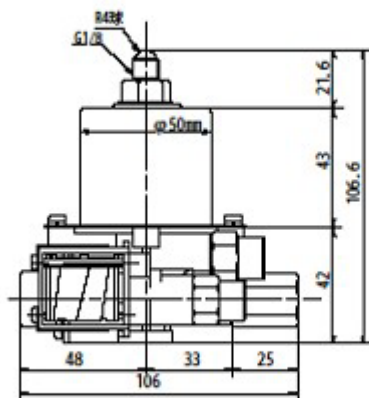
**PRIMARY APPLICATIONS:**

- Used in "gun-type" kerosene oil burners, light oil burners, and hot water heaters with dual output pressure control.
- Used with light oils in complex pressurized lubricating systems.



**SPECIFICATIONS:**

	MODELS		
SPECIFICATIONS	VSCD36	VSCD63	VSCD90
Power Sources	120 / 230VAC (50 / 60Hz) [Half-Wave Rectifier is Required]		
Power Consumption (Typical)	19 VA	25 VA	34 VA
Maximum Free Flow Rat	< 14 L / h (< 3.7 gal / h)	< 15.5 L / h (< 4.1 gal / h)	< 17 L / h (< 4.5 gal / h)
Maximum Pressure (No Flow)	1.5MPa (218 psi)	1.5MPa (218 psi)	1.6MPa (232 psi)
Pressure Regulation System	Relief Valve		
Corresponding Nozzle	0.5 – 1.0 gal / h	1.0 – 1.5 gal / h	1.5 – 2.5 gal / h
Suction Level	< 1 M (< 3.3 ft)		
Internal Solenoid Cut-off Valve	Yes		
Operating Temperature	-20o C ~ 40o C (-4o F ~ 104o F)		
Mounting Thread	2-M6 x P1.0		
Piping Connection Sizes	Intake: R 1/8" Discharge: G 1/8"B (Half Spherical Surface of Radius 4 mm)		
Weight	1.00 Kg (2.2 lbs)	1.02 Kg (2.24 lbs)	1.04 Kg (2.29 lbs)



**Nippon Control Kogyo Co., Ltd. Sales Dep.**

5-1-16 Chiyoda, Sakado, Saitama. 3500214 Japan

TEL: 81.49.283.7711 FAX: 81.49.283.7717 E-mail: inquiry@nipcon.co.jp URL: http://www.nipcon.co.jp