

<b>Model: VSK</b>	<b>Category:</b> Non-Capacity Type Solenoid Pump
	<b>Application:</b> Oil Series
	<b>Classification:</b> Pressure (Piston) Type

**FEATURES:**

- This popular non-capacity type solenoid pump model is in the most commonly used configuration for high pressure, large capacity oil applications.
- These pumps include a relief valve that can be manually adjusted to regulate the internal pressure of the pump for optimal useful operating characteristics.

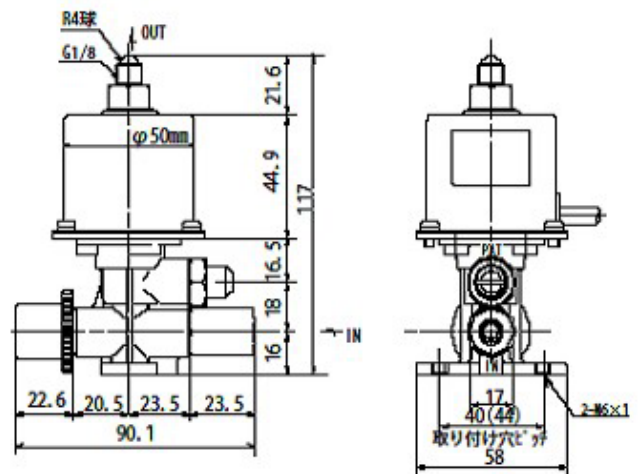
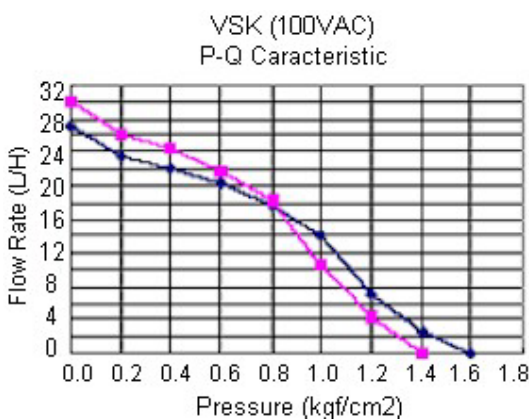
**PRIMARY APPLICATIONS:**

- Used as a "gun-type" burner with kerosene and light oils for space heaters and water boilers, and so on.
- Used with light oils in pressurized lubricating systems.



**SPECIFICATIONS:**

MODEL	VSK125
<b>SPECIFICATIONS</b>	
<b>Power Sources</b>	120 / 230VAC (50 / 60Hz) [Half-Wave Rectifier is Required]
<b>Power Consumption (Typical)</b>	52 VA
<b>Maximum Free Flow Rate</b>	< 27 L / h (< 7.1 gal / h)
<b>Maximum Pressure (No Flow)</b>	1.5MPa (218 psi)
<b>Pressure Regulation System</b>	Relief Valve
<b>Corresponding Nozzle</b>	2.5 – 3.25 gal / h
<b>Suction Level</b>	< 1 M (< 3.3 ft)
<b>Internal Solenoid Cut-off Valve</b>	Yes
<b>Operating Temperature</b>	-20 ~ 40 (-4 ° F ~ 104 ° F)
<b>Mounting Thread</b>	2 – M6 x P1.0
<b>Piping Connection Sizes</b>	<b>Intake:</b> R 1/8" <b>Discharge:</b> G 1/8" B (Half Spherical Surface of Radius 4 mm)
<b>Weight</b>	0.75 Kg (1.65 lbs)



**Nippon Control Kogyo Co., Ltd. Sales Dep.**

5-1-16 Chiyoda, Sakado, Saitama. 3500214 JAPAN

TEL: 81.49.283.7711 FAX: 81.49.283.7717 E-mail: inquiry@nipcon.co.jp URL: <http://www.nipcon.co.jp>