

|                    |  |
|--------------------|--|
| <b>Models: VSW</b> | <b>Category: Non-Capacity Type Solenoid Pump</b> |
|                    | <b>Application: Water &amp; Chemical Series</b>  |
|                    | <b>Classification: Pressure (Piston) Type</b>    |

**FEATURES:**

- These popular Non-Capacity Type solenoid pump models are in the most commonly used configuration for high pressure, water and chemical (pH: 6 ~ 10) applications.
- Every pump model in this series can be adapted at the factory for use with one of four different input voltages. For the two AC input voltage options, usually the pump output pressure is generated when a half-wave AC voltage is applied. However, it is also possible to control these pumps by a phase control method. For the two DC input voltage options, multi-step pressure control as well as linear control is possible by using a pulse width modulation (PWM) circuit board.

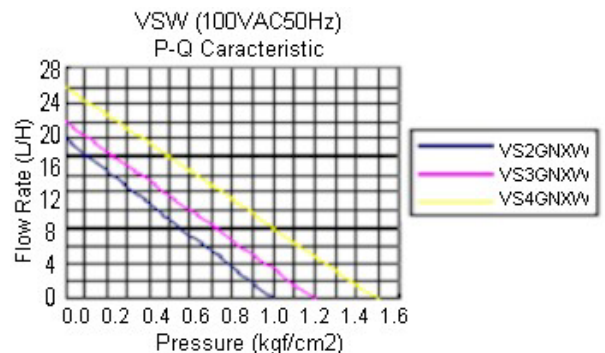
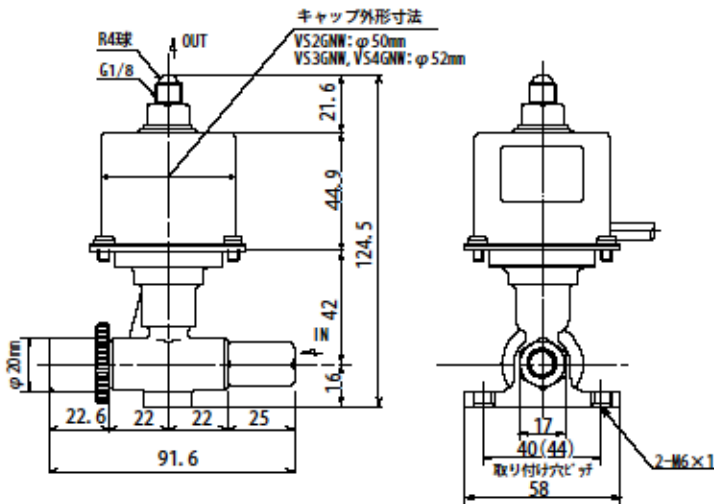


**PRIMARY APPLICATIONS:**

- Used in water sprayers.
- Used to transfer chemicals with pressure.

**SPECIFICATIONS:**

| MODELS                                 | VS2GNXW   | VS3GNXW                    | VS4GNXW                    |
|--|---|----------------------------|----------------------------|
| <b>SPECIFICATIONS</b>                  |   |                            |                            |
| <b>Power Sources</b>                   | 120 / 230VAC (50 / 60Hz)[Half-Wave Rectifier or a Phase Control Drive Circuit Board or a Pulse Width Modulation Circuit Board is Required]<br>12 / 24VDC [Pulse Width Modulation Circuit Board is Required] |                            |                            |
| <b>Power Consumption (Typical)</b>     | 33 VA   | 48 VA                      | 55 VA                      |
| <b>Maximum Free Flow Rate</b>          | < 18 L / h (< 4.8 gal / h)  | < 20 L / h (< 5.3 gal / h) | < 20 L / h (< 5.3 gal / h) |
| <b>Maximum Pressure (No Flow)</b>      | 1.0MPa (142 psi)  | 1.0MPa (142 psi)           | 1.5MPa (213 psi)           |
| <b>Suction Level</b>                   | < 1 M (< 3.3 ft)  |                            |                            |
| <b>Internal Solenoid Cut-off Valve</b> | Yes   |                            |                            |
| <b>Operating Temperature</b>           | -20 °C ~ 40 °C (-4 °F ~ 104 °F)   |                            |                            |
| <b>Mounting Thread</b>                 | 2 – M6 x P1.0   |                            |                            |
| <b>Piping Connection Sizes</b>         | Intake: R 1/8" Discharge: G 1/8"B (Half Spherical Surface of Radius 4 mm)   |                            |                            |
| <b>Weight</b>                          | 0.90 Kg (1.98 lbs)  | 1.00 Kg (2.20 lbs)         | 1.10 Kg (2.42 lbs)         |



**Nippon Control Kogyo Co., Ltd. Sales Dep.**

5-1-16 Chiyoda, Sakado, Saitama. 3500214 JAPAN

TEL: 81.49.283.7711 FAX: 81.49.283.7717 E-mail: inquiry@nipcon.co.jp URL: http://www.nipcon.co.jp