

| | |
|-------------------|---|
| Models: VW | Category: Non-Capacity Solenoid Pump |
| | Application: Water Series |
| | Classification: Pressure (Piston) Type |

FEATURES:

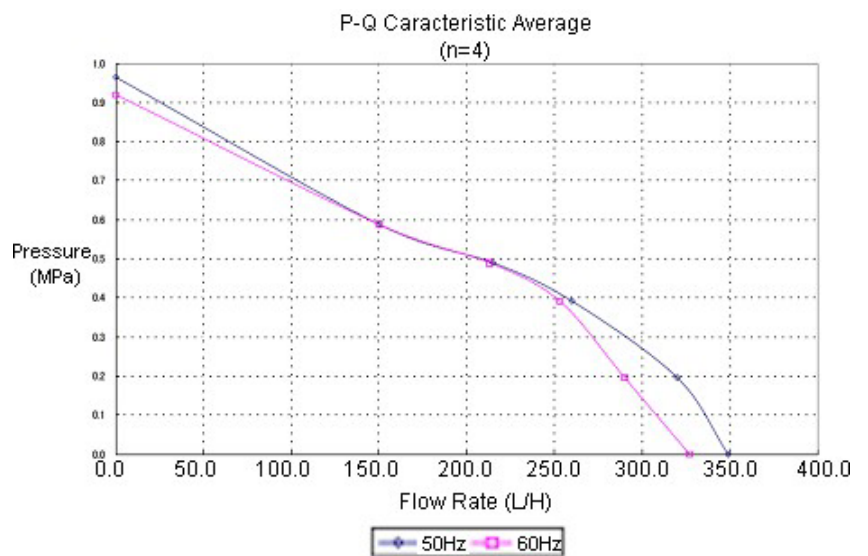
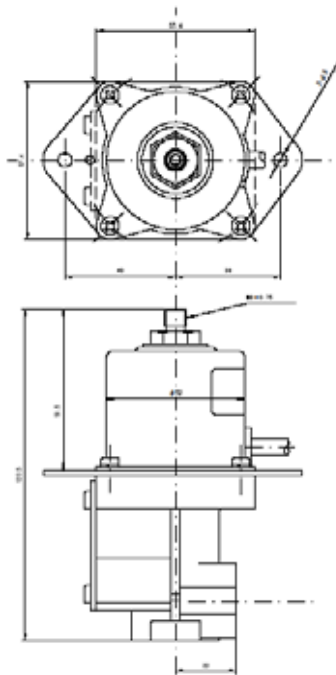
- This model was made for Food / Sanitation application in water series, pressure (piston) type.
- The each material of the parts is corresponding to the standard of U.S. Food and Drug Administration.

PRIMARY APPLICATION:

- Used to transfer food & sanitation water based liquids under pressure.


SPECIFICATIONS:

| SPECIFICATIONS: | MODELS | VW-125F |
|---------------------------------------|--------|----------------------------|
| Power Sources | | 100/200VAC, 24VDC(PWM/PFM) |
| Power Consumption (VA)(TyP.) | | 56/48(50/60Hz) |
| Maximum Free Flow Rate (l/h)(TyP.) | | 23 |
| Maximum Pressure (No Flow)(MPa)(TyP.) | | 2.45 |
| Suction Level (m) | | -0.5 |
| Liquid | | Water |
| Operating Temperature | | -20 ~ +40 (Non-Freezing) |
| Weight (kg) | | 0.65 |



Nippon Control Kogyo Co., Ltd. Sales Dep.

5-1-16 Chiyoda, Sakado, Saitama. 3500214 JAPAN

TEL: 81.49.283.7711 FAX: 81.49.283.7717 E-mail: inquiry@nipcon.co.jp URL: <http://www.nipcon.co.jp>